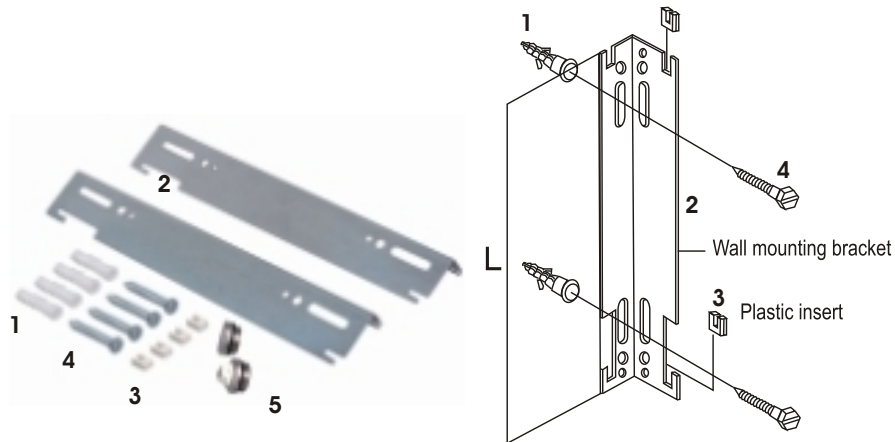
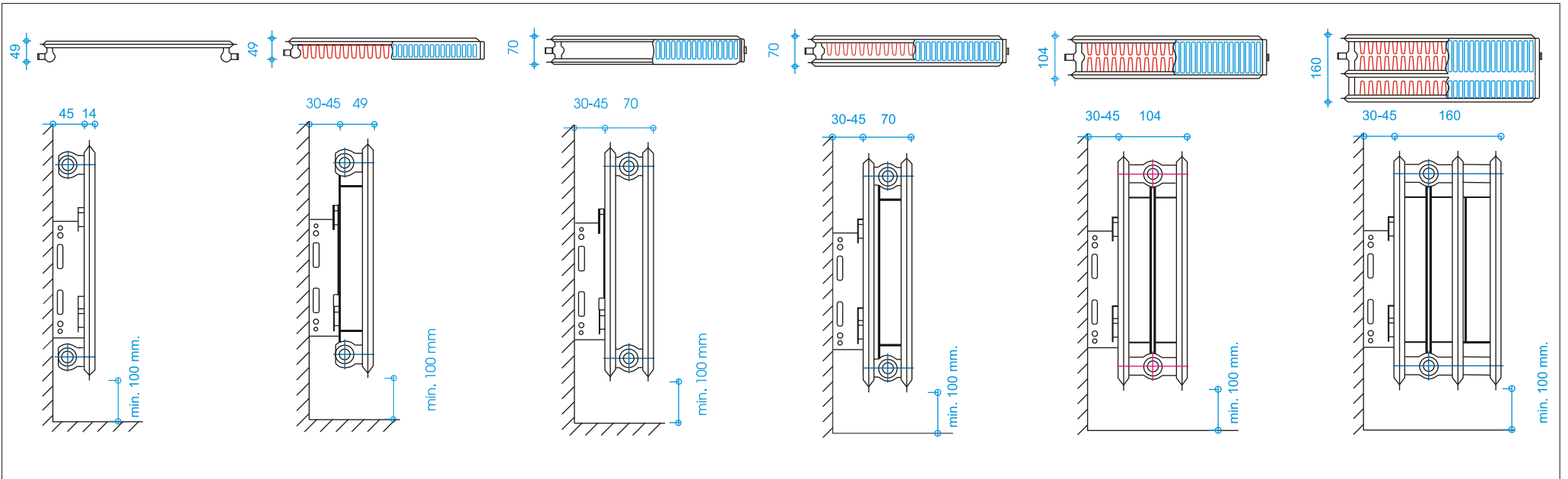
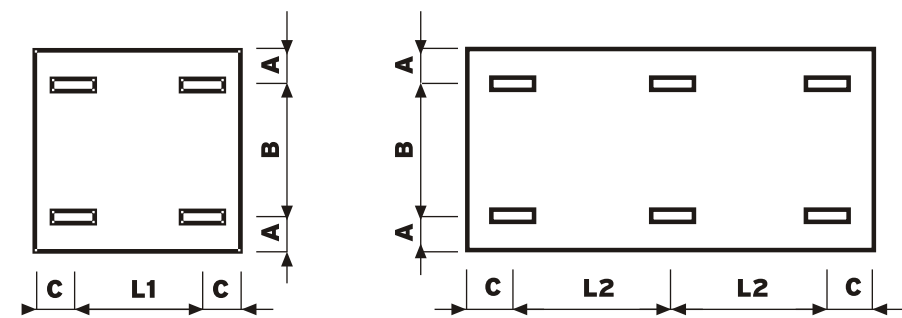


# INSTALLATION MANUAL



- 1.Plug
- 2.Console
- 3.Plastic insert
- 4.Screw
- 5.Air Vent

1. Drill the holes of 10 mm as instructed on the picture. (According to the type and of the radiator)
2. Insert the plugs (1)
3. Put the screw (4)
4. Hang the consoles (2) with the help of the screws (4)
5. Put the plastic insert (3) on consoles (2)
6. Put the radiator on plastic insert (3) on consoles (2)



Lug Sizes

Height	A	B	TYPE		No of Lugs	No of Brackets
			11	10-20-21-22-33		
			C	C		
mm	mm	mm	mm	mm	pcs	pcs
300	107,5	85	116	101	4	<b>2</b>
400	107,5	185	116	101	4	<b>2</b>
500	107,5	285	116	101	4	<b>2</b>
600	107,5	385	116	101	4	<b>2</b>
900	107,5	685	116	101	4	<b>2</b>

400-1500 mm Radiator Length

Radiator Length	TYPE		No of Lugs	No of Brackets
	11	10-20-21-22-33		
	L1	L1		
mm	mm	mm	pcs	pcs
400	168	198	4	<b>2</b>
500	268	298	4	<b>2</b>
600	368	398	4	<b>2</b>
700	468	498	4	<b>2</b>
800	568	598	4	<b>2</b>
900	668	698	4	<b>2</b>
1000	768	798	4	<b>2</b>
1100	868	898	4	<b>2</b>
1200	968	998	4	<b>2</b>
1300	1068	1098	4	<b>2</b>
1400	1168	1198	4	<b>2</b>
1500	1268	1298	4	<b>2</b>

1600-3000 mm Radiator Length

Radiator Length	TYPE		No of Lugs	No of Brackets
	11	10-20-21-22-33		
	L2	L2		
mm	mm	mm	pcs	pcs
1600	684	699	6	<b>3</b>
1800	784	799	6	<b>3</b>
2000	884	899	6	<b>3</b>
2200	984	999	6	<b>3</b>
2400	1084	1099	6	<b>3</b>
2600	1184	1199	6	<b>3</b>
2800	1284	1299	6	<b>3</b>
3000	1384	1399	6	<b>3</b>